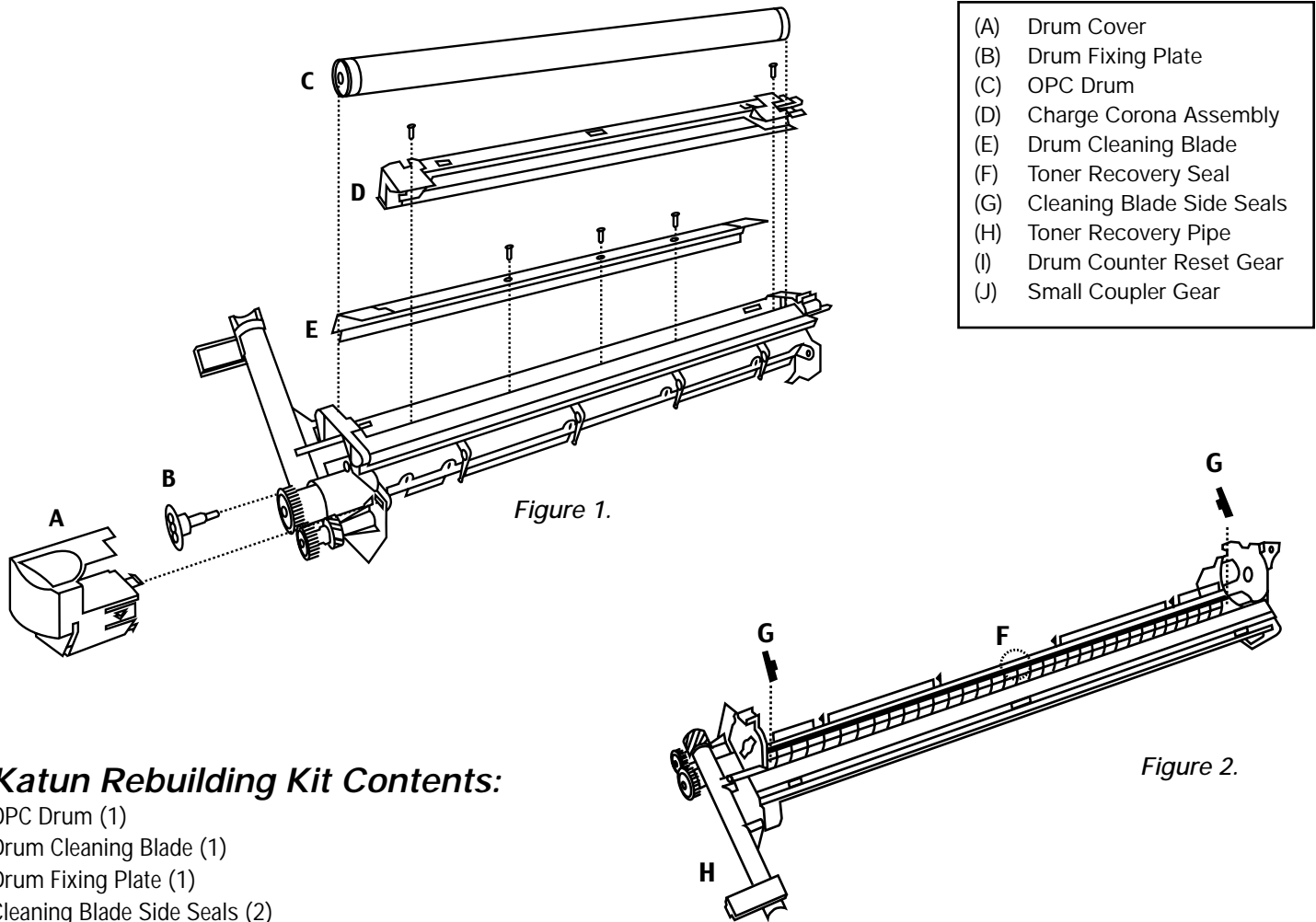


Rebuilding Instructions



Katun Rebuilding Kit Contents:

- OPC Drum (1)
- Drum Cleaning Blade (1)
- Drum Fixing Plate (1)
- Cleaning Blade Side Seals (2)

Disassembly:

1. Remove the drum cover (A) by squeezing gently to disengage its four plastic hook clips, and pulling the cover outward.
2. Remove the drum fixing plate (B) by rotating clockwise and pulling straight out.
3. Remove the used OPC drum (C) by lifting it out of the unit.
4. Remove the charge corona assembly (D) by removing two brass screws. Slide the assembly to the left as far as possible, then disengage its plastic tab at the left end. Next, disengage the assembly's center metal tab and the plastic tab at the right end. Lift the assembly out of the unit.
5. Remove the used drum cleaning blade (E) by removing the three screws, then gently pry the blade out of the unit.
NOTE: Use caution not to scratch or bend the toner recovery seal (F).
6. Remove the cleaning blade side seals (G) by pulling them off the unit. Note the position of the seals for reference during reassembly.
7. Thoroughly clean the unit, including the toner recovery pipe (H). Ensure all gears and augers are clean and turn freely.
8. Inspect the unit for damage.

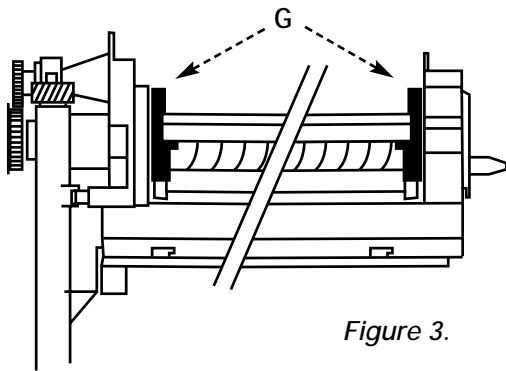


Figure 3.

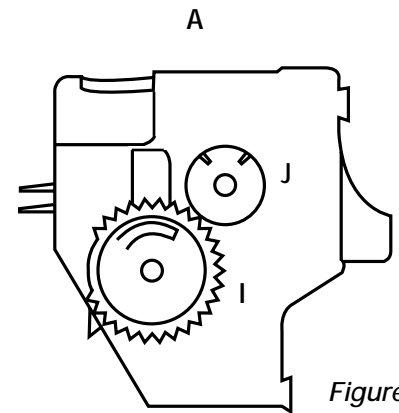


Figure 5.

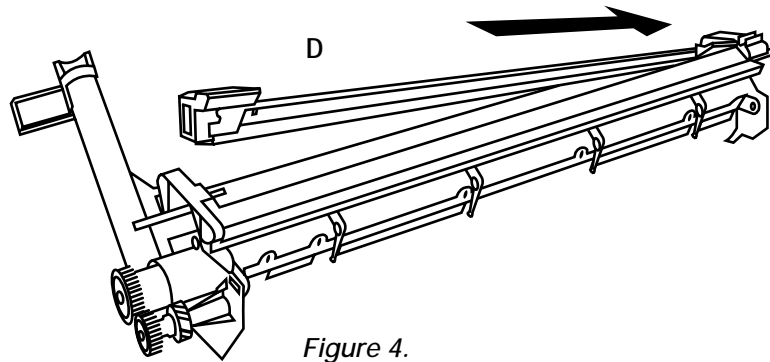


Figure 4.

Reassembly:

9. Apply a light dusting of Kynar powder to the new Katun drum cleaning blade.
10. Install the new Katun drum cleaning blade by placing it in the unit, then reinstalling the three screws removed in step 5.
11. Install the new Katun cleaning blade side seals (see figure 3). **NOTE:** Do not touch the surface of the drum cleaning blade when installing the seals.
12. Reinstall the charge corona assembly (D) by inserting the right end into the unit first (see figure 4). Align the two plastic end tabs and the center metal tab with their appropriate slots, and slide the unit to the right to engage the tabs. Reinstall the two screws removed in step 4.
13. Apply a light coating of grease to the tip of the new Katun drum fixing plate. Install the new Katun OPC drum by inserting it gear-end into the unit, then setting the OPC into place. Secure the OPC drum by installing the drum fixing plate and turning it counter-clockwise until it locks in place.
14. Turn the OPC drum counter-clockwise one full rotation to evenly distribute the Kynar.
15. Reposition the drum counter reset gear (I) by removing the small coupler gear (J), then lifting and rotating the drum counter reset gear clockwise until the detection arm is in the 12:00 position (see figure 5). Reinstall the coupler gear. **NOTE:** The drum counter reset gear and small coupler gear are not included in original drum cartridges provided with these machines. The drum counter can also be reset by performing simulation 24-07.
16. Reinstall the drum cover (A)—using caution not to disrupt the gears within—by gently pushing the unit down into it until all four of its plastic hook clips snap in place.
17. Mark the unit with a spot of white paint to indicate it has been rebuilt.

NOTE: Do not rotate the drum or make a copy after assembly, as this will cause the drum counter reset gear to rotate.

KATUN[®]